

dyson airblade wash+dry

LEED FOR BUILDING DESIGN AND CONSTRUCTION (LEED BD+C) v4
DOCUMENTATION LETTER FOR UNITED STATES OF AMERICA



RE: LEED Documentation of Dyson Airblade Wash + Dry hand dryer WD04/WD05/WD06

September 20, 2018

To Whom it May Concern,

This documentation letter is to be used when pursuing LEED certification with the U.S. Green Building Council (USGBC), when the team chooses LEED v4 BD+C. The information can be utilized on the following project types: LEED BD+C: New Construction, LEED BD+C: Core and Shell, LEED BD+C Schools, LEED BD+C: Retail, LEED BD+C: Healthcare, LEED BD+C: Data Centers, LEED BD+C: Hospitality, and LEED BD+C: Warehouses and Distribution Centers.

We are pleased to confirm that the Dyson Airblade Wash + Dry hand dryer WD04/WD05/WD06 can aid in the achievement of the following LEED® credits:

WEp2 Indoor Water Use Reduction	Applicable to this prerequisite when used in a public lavatory with the 0.5 gallon/minute aerator. Please see Technical Specification for additional water flow rate information.
WEc2 Indoor Water Use Reduction	Applicable to this credit when used in a public lavatory with the 0.5 gallon/minute aerator. Please see Technical Specification for additional water flow rate information.
EAp2 Minimum Energy Performance	Applicable to this prerequisite as it is considered a process load. Please see Technical Specification for electrical information.
EAc2 Optimize Energy Performance	Applicable to this credit as it is considered a process load. Please see Technical Specification for electrical information.

Thank you,
Dyson Inc.

Signature of Signing Authority

Title of Signing Authority

This LEED® compliance letter was created with the assistance of EcoAmmo Sustainable Consulting Inc.
Visit www.ecoammo.com for more information.

Disclaimer:

The use of this product can contribute to achieving points in the categories listed above; however, specifying this product does not guarantee point achievement or LEED® certification of a project.

The information provided on this letter is believed to be accurate as of the date noted. However, EcoAmmo Sustainable Consulting Inc. (EA) makes no warranty either expressed or implied, concerning the accuracy or completeness of this information. Any information that changes after the evaluation date is the responsibility of the manufacturer / supplier to inform EA and request an updated LEED® Compatibility Chart.

For further information
please contact Dyson.
1-888-397-6622
www.dyson.com
design@dyson.com



dyson airblade wash+dry

dyson airblade wash+dry

LEED FOR BUILDING DESIGN AND CONSTRUCTION (LEED BD+C) v4 COMPATIBILITY CHART FOR UNITED STATES OF AMERICA

WD WD WD
04 05 06

Date of Evaluation: September 2018

Review of Dyson Airblade Wash + Dry hand dryer WD04/WD05/WD06

Product Type: Lavatory Tap & Hand Dryer

Master Format Code: 22.42.46

Product Evaluation:

The information provided on this chart is applicable throughout the United States. The product data has been evaluated and verified as of the date listed above by an independent third party, EcoAmmo Sustainable Consulting Inc. www.ecoammo.com

LEED Rating System

This compatibility chart is to be used when pursuing LEED certification with the U.S. Green Building Council (USGBC), when the team chooses LEED v4 BD+C.

The information can be utilized on the following project types:

LEED BD+C: New Construction	LEED BD+C: Core and Shell
LEED BD+C: Schools	LEED BD+C: Retail
LEED BD+C: Healthcare	LEED BD+C: Data Centers
LEED BD+C: Hospitality	LEED BD+C: Warehouses and Distribution

Credit Name	Product Compatibility
WEp2 Indoor Water Use Reduction	Applicable to this prerequisite when used in a public lavatory with the 0.5 gallon/minute aerator. Please see Technical Specification for additional water flow rate information.
WEc2 Indoor Water Use Reduction	Applicable to this credit when used in a public lavatory with the 0.5 gallon/minute aerator. Please see Technical Specification for additional water flow rate information.
EAp2 Minimum Energy Performance	Applicable to this prerequisite as it is considered a process load. Please see Technical Specification for electrical information.
EAc2 Optimize Energy Performance	Applicable to this credit as it is considered a process load. Please see Technical Specification for electrical information.

Disclaimer:

The use of this product can contribute to achieving points in the categories listed above; however, specifying this product does not guarantee point achievement or LEED® certification of a project.

The information provided on this sheet is believed to be accurate as of the date noted. However, EcoAmmo Sustainable Consulting Inc. (EA) makes no warranty either expressed or implied, concerning the accuracy or completeness of this information. Any information that changes after the evaluation date is the responsibility of the manufacturer / supplier to inform EA and request an updated LEED® Compatibility Chart.



Product range

WD04 Short

WD05 Long

WD06 Wall



Accreditations

Carbon Trust

HACCP International



The Carbon Reduction Label is the registered trademark of the Carbon Trust. HACCP International non-food certification mark is the registered trademark of HACCP International. HACCP International have certified Dyson products based on their recommended installation and operating conditions.

For further information please contact Dyson.
1-888-397-6622
www.dyson.com
design@dyson.com

TECHNICAL SPECIFICATION

Electrical

Input voltage: Low voltage = 100–120V, High voltage = 200–240V
Frequency: 100–115V at 50/60Hz, >115–120V at 60Hz; 200–240V at 50/60Hz
Motor specification: 1000W, digital V4 brushless motor
Motor Speed: 81,000rpm
Motor Switching rate: 5,400 per second
Amp: Dedicated hand dryer circuit required. Reference NEC/local electrical code for loading. 9.09A at 110V; 4.54A at 220V
Heater type: None
Standby power consumption: Less than 0.5W

Construction

Tap construction: Stainless steel (brushed)
Lead free
Under counter motor bucket: Molded ABS (main unit) also uses polycarbonate and polypropylene
Exterior screw type: Torx T15
Water ingress protection rating to IP35
Net weight: WD04 = 9.37lb / 4.25kg; WD05 = 9.96lb / 4.52kg; WD06 = 18.47lb / 8.38kg

Filter

Sealed HEPA filter (glass fiber and fleece prelayer)
Captures 99.97% of particles as small as 0.3 microns

Operation

Touch-free infra-red activation
Hand dry time measurement: 14 seconds*
Sound power level: Low voltage = 80db(A) for WD04-06, High voltage = 80db(A) for WD06, 81 db(A) for WD04-05
Sound pressure level @ 2m: 66dB(A)†
Operation lock-out period: 30 seconds
Airspeed at apertures: Low voltage = 331 mph (533km/h), High voltage = 341 mph (549km/h)
Maximum altitude: 11,482 feet / 3,500 meters
Operation airflow: Up to 5.5 gallons/sec (21 liters/sec)
Operating temperature range: 32°–104°F / 0°–40°C

Water operation

Water flow rate: 0.5 gallons/min (1.9 liters/min) low flow fitted aerator, 1.0 gallons/min (3.8 liters/min) with aerator supplied with product, 0.35 gallons/min multi spray laminar aerator available as a service part
Water temperature control: Thermostatic mixer recommended (not supplied)
Water pressure required: 14.5–116psi
Tap power supply: Mains supply
Equipped with automatic flush – every 24 hours for 60 seconds, after last use.

Logistics

Unit barcode: Low voltage/WD04: 885609014104, WD05: 885609014111, WD06: 885609014128; High voltage/WD04: 885609014074, WD05: 885609014081, WD06: 885609014098
Packaged weight: WD04 = 13.36lb / 6.06kg; WD05 = 14.64lb / 6.64kg; WD06 = 27.36lb / 12.41kg
Packaged dimensions: WD04 = H 11 7/8" (303mm) × W 11 1/8" (284mm) × D 11 1/2" (291mm); WD05 = H 17" (434mm) × W 10 7/8" (275mm) × D 11 5/16" (288mm); WD06 = H 24" (610mm) × W 14 3/4" (375mm) × D 11 7/8" (302mm)
Pallet quantity: 36 x WD04, 24 x WD05, 15 x WD06

Sink specification

The Dyson Airblade Wash+Dry hand dryer is compatible with most sink types. Ensure plugs are not installed in the sinks and avoid inserts with embedded plugs (e.g. ones that swivel or elevate). If you would like assistance choosing a compatible sink or soap dispenser, email design@dyson.com or call 888-397-6622.

Using a specially designed test method, Dyson engineers evaluated the user experience of a wide range of sink types when used with the Dyson Airblade Wash+Dry hand dryer. For further details on our recommended sinks, please see the pre-installation guide on our website: dyson.com/docs

We recommend avoiding sinks with the following geometric characteristics: Flat bases immediately surrounding the drain hole, nominally within a 2 5/16" (60mm) radius. Sloping back and front wall transitions in relation to the base of the sink. See our pre-installation guide for further details: dyson.com/docs

Sink dimensions:

All sink measurements are internal unless stated otherwise.
Minimum width of sink: 15" (380mm), Front to back – Minimum: 13" (330mm)
Minimum depth of sink: 5" (127mm)
Maximum depth of sink for WD05 only: 8" (200mm)
(External measurement of vessel sink)

Sink materials: Sinks with highly polished surfaces should be avoided, e.g. reflective chrome. Porcelain or brushed metal is ideal. When multiple taps are installed side-by-side, tap centers should be a minimum of 22 7/8" (580mm) apart.

Standard warranty

5 year parts, 5 year limited labor

Product range

WD04 Short

Part number/SKU
Low Voltage: 247659-01
High Voltage: 247908-01



WD05 Tall

Part number/SKU
Low Voltage: 247663-01
High Voltage: 247910-01



WD06 Wall

Part number/SKU
Low Voltage: 247669-01
High Voltage: 247915-01



Accreditations

Carbon Trust, HACCP International
WD04 Short and WD06 Wall are ADA compliant
Contributes to LEED certification
Contributes towards satisfying Feature W08 under the WELL Building Standard™

*Dry time determined using Dyson test method 769 based on NSF P335 to a measurement of 0.1g residual moisture.

†Sound pressure measured at 6.56 feet (2 meters) distance, in a semi-anechoic chamber.

For more information, please contact Dyson:

1-888-397-6622 | design@dyson.com | www.dyson.com

dyson airblade wash+dry

TECHNICAL SPECIFICATION

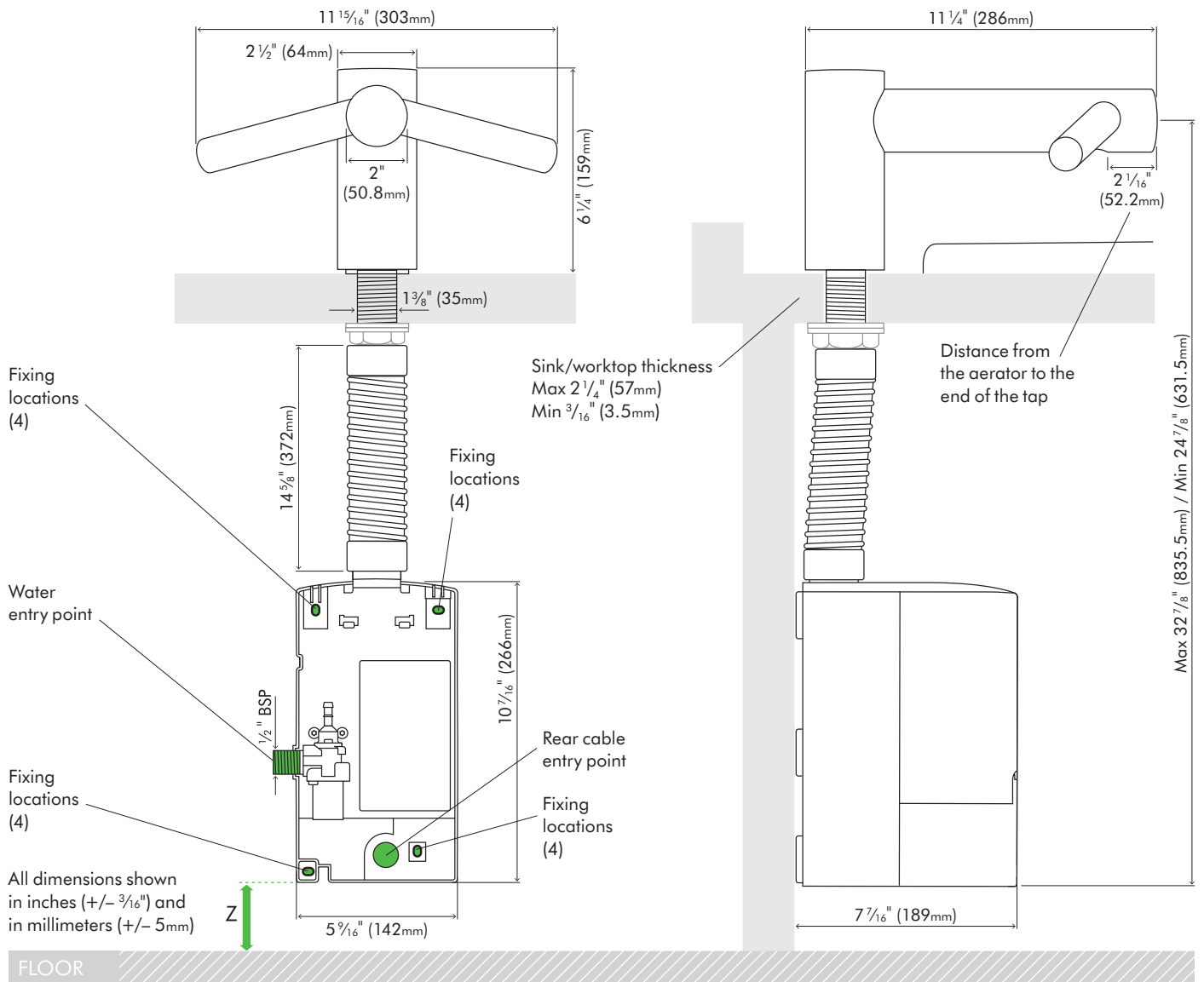
WD WD WD
04 05 06



Short

FRONT ELEVATION

SIDE ELEVATION



Tap dimensions

WD04: Height $6 \frac{1}{4}$ " (159mm), Width $11 \frac{15}{16}$ " (303mm), Depth $11 \frac{1}{4}$ " (286mm)

Motor bucket dimensions

WD04: Height $10 \frac{7}{16}$ " (266mm), Width $5 \frac{9}{16}$ " (142mm), Depth $7 \frac{7}{16}$ " (189mm)

Minimum clearance

Z 4 " (100mm) clearance from floor. ADA requires 9 " (228mm) toe clearance.

dyson airblade wash+dry

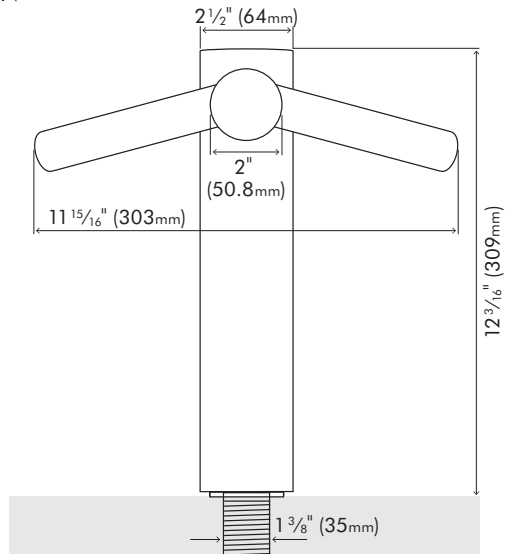


Tall

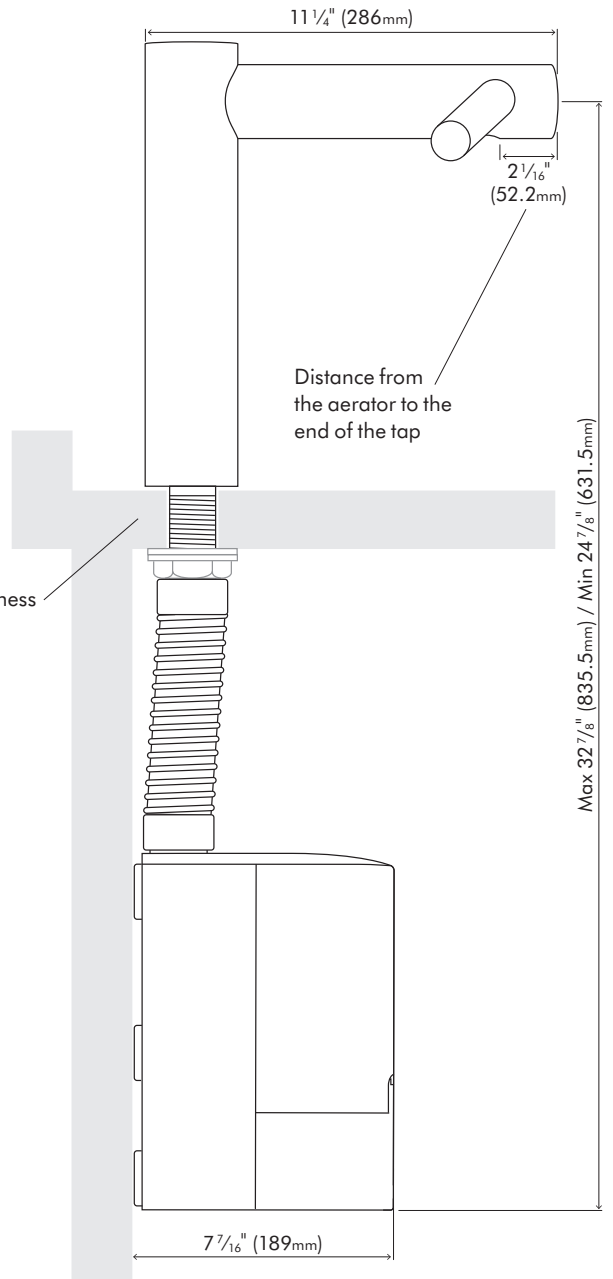
TECHNICAL SPECIFICATION

WD WD WD
04 05 06

FRONT ELEVATION



SIDE ELEVATION



Fixing locations (4)

Water entry point

Fixing locations (4)

All dimensions shown in inches (+/- 3/16") and in millimeters (+/- 5mm)



Sink/worktop thickness
Max 2 1/4" (57mm)
Min 3/16" (3.5mm)

Fixing locations (4)

Rear cable entry point

Fixing locations (4)

FLOOR

Tap dimensions

WD05: Height 12 3/16" (309mm), Width 11 5/16" (303mm), Depth 1 1/4" (286mm)

Motor bucket dimensions

WD05: Height 10 7/16" (266mm), Width 5 9/16" (142mm), Depth 7 7/16" (189mm)

Minimum clearance

Z 4" (100mm) clearance from floor. ADA requires 9" (228mm) toe clearance.

dyson airblade wash+dry

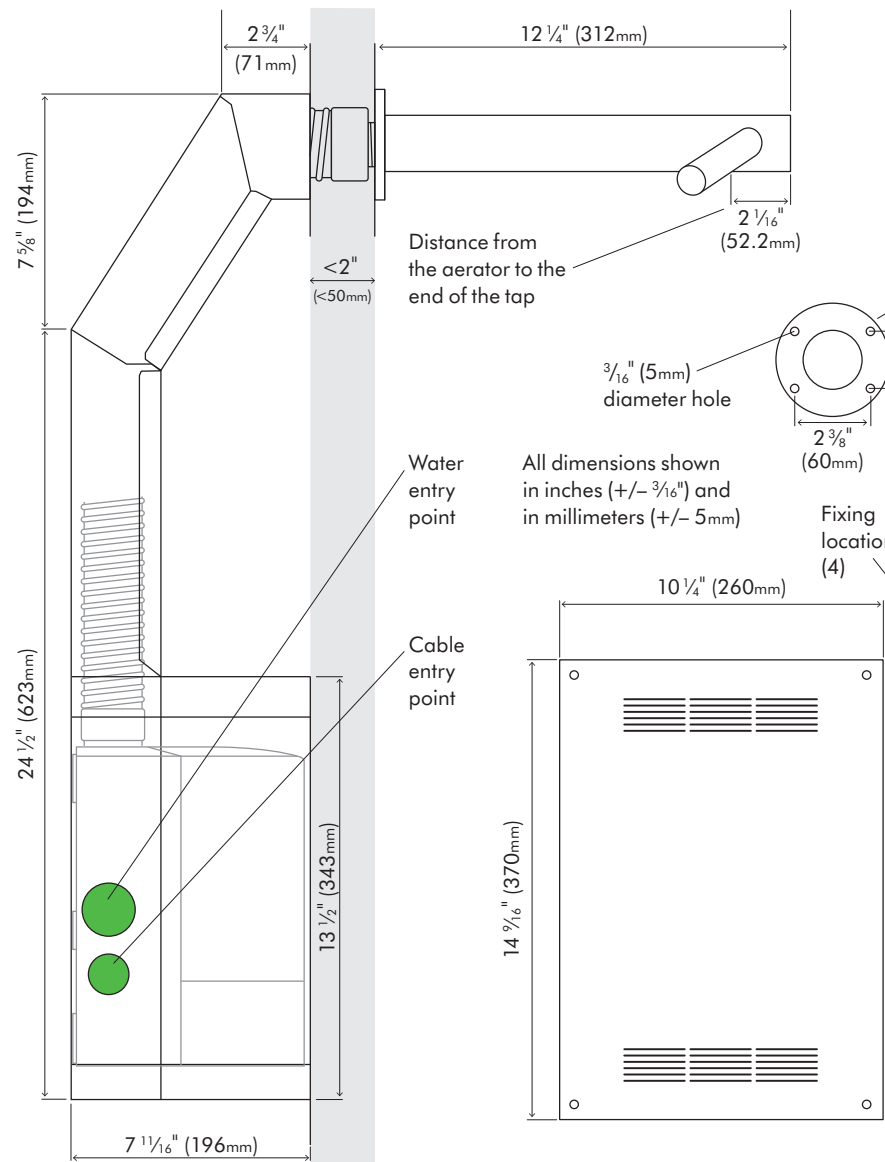
TECHNICAL SPECIFICATION

WD WD WD
04 05 06

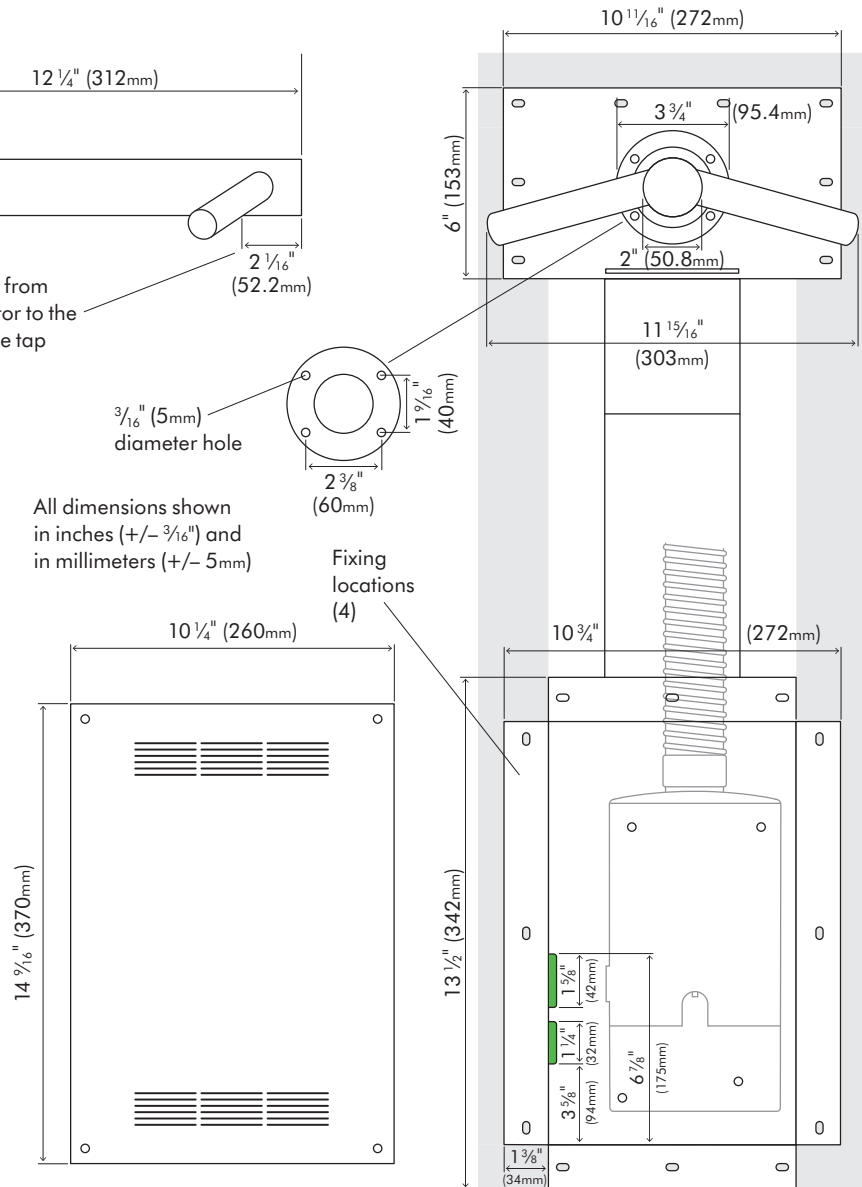


Wall

SIDE ELEVATION



FRONT ELEVATION



FLOOR

Tap dimensions

WD06: Length $12 1/4''$ (312mm), Width $11 15/16''$ (303mm)

Motor bucket dimensions

WD06: Height $10 7/16''$ (266mm), Width $5 9/16''$ (142mm), Depth $7 7/16''$ (189mm)

Minimum clearance

Suggested installation height $37 9/16''$ (955mm) from finished floor to center of tap, depending on height of sink. Check installation guide for further details.

dyson airblade wash+dry

TECHNICAL SPECIFICATION

WD WD WD
04 05 06



Wall

WD06 Wall installation

The Dyson Airblade Wash+Dry hand dryer is designed so that the motor unit is located behind the stud wall within a metal enclosure which is supplied with the Dyson Airblade Wash+Dry hand dryer (Fig.1). The vertical wall studs must be constructed so as to allow the metal enclosure to be fitted between them (Fig.2). One of the horizontal wall studs must be fitted a) so it holds the main weight of the metal duct and the unit, and b) so it is in the correct position for the tap stem.

For complete instructions, please refer to the printed installation guide supplied with the machine.
It's also available online at: www.dyson.com/docs

Fig.1



Fig.2

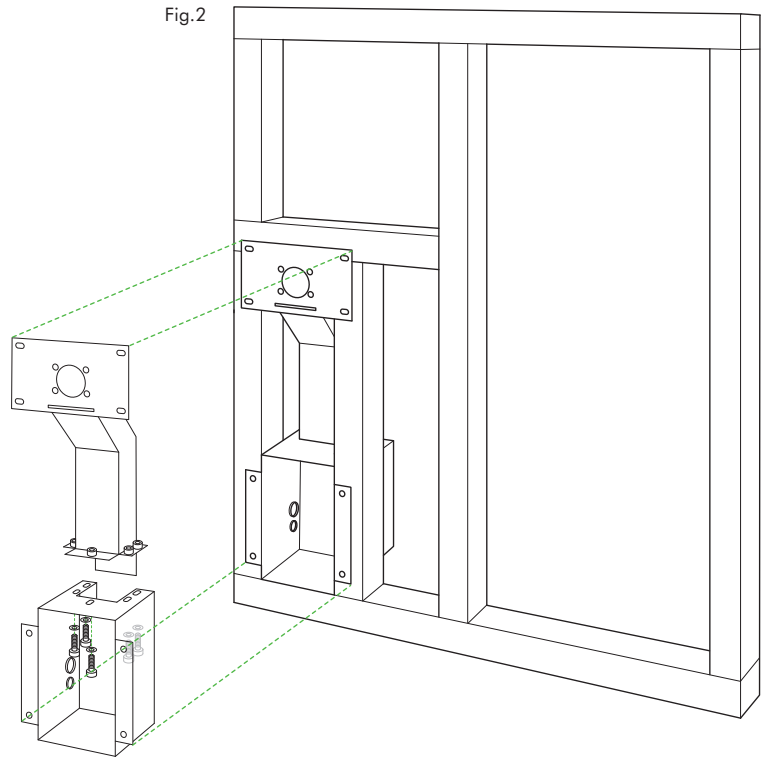


Fig.3

Install plasterboard.

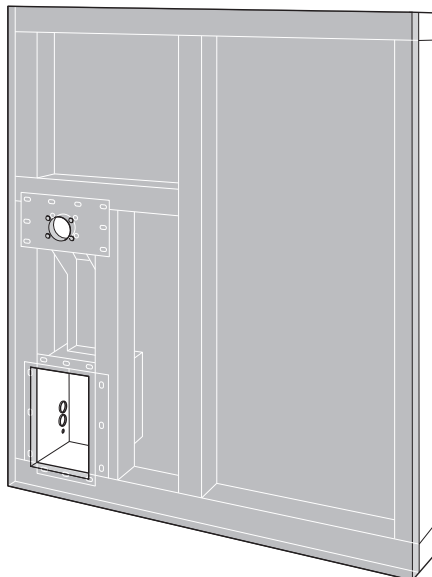
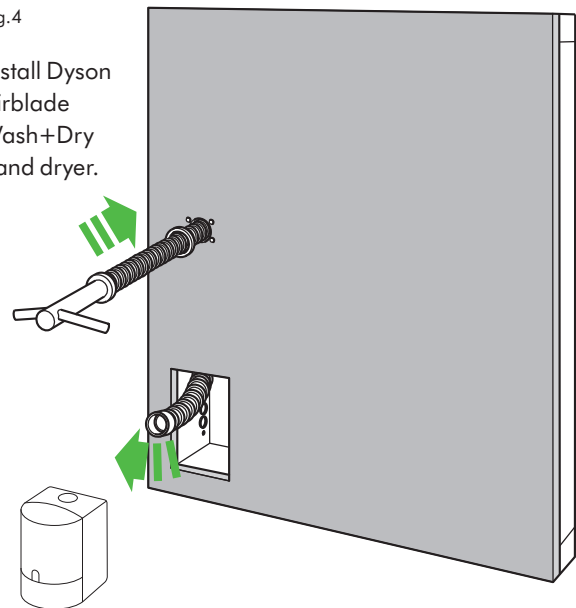


Fig.4

Install Dyson Airblade Wash+Dry hand dryer.



dyson airblade wash+dry

Further documents are available to
download online at [dyson.com/docs](https://www.dyson.com/docs):

- Pre-installation guide
- Installation guide
- Dyson Airblade Wash+Dry
hand dryer brochure
- Cleaning guide
- CAD drawings



The Carbon Reduction Label is the registered trademark of the Carbon Trust. HACCP International non-food certification mark is the registered trademark of HACCP International. HACCP International have certified Dyson products based on their recommended installation and operating conditions. Licensed by Dyson. International WELL Building Institute™ and the related logo are trademarks used with permission from the International WELL Building Institute™.

For further information, please contact Dyson:
1-888-397-6622 | design@dyson.com | www.dyson.com