

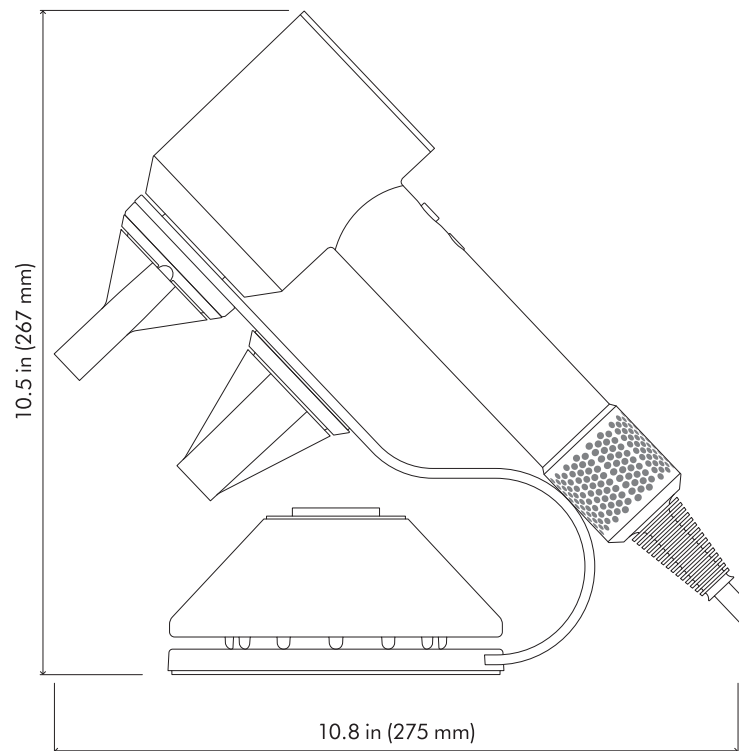
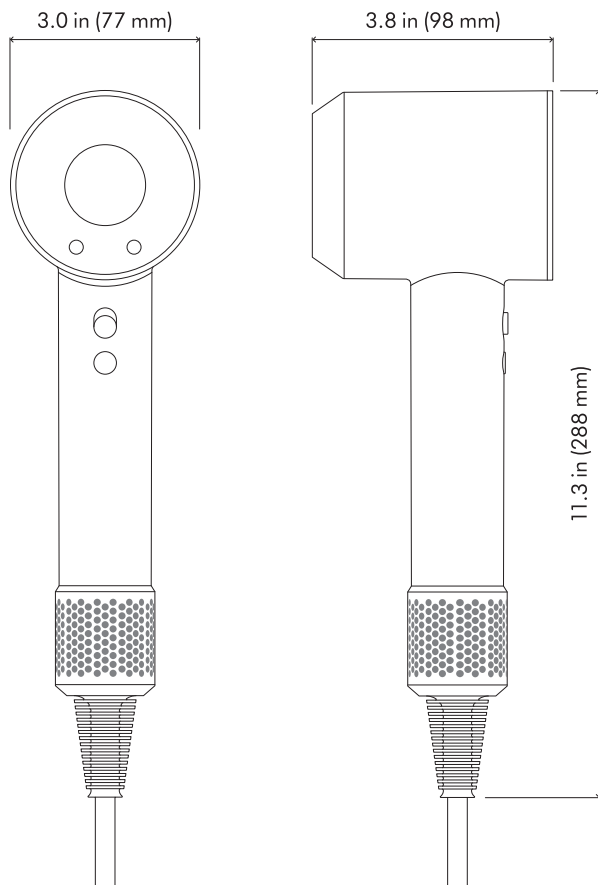
TECHNICAL SPECIFICATION



FRONT VIEW

SIDE VIEW

STAND



Machine dimensions

Height: 11.3 in (288 mm), Width: 3.0 in (77 mm), Depth: 3.8 in (98 mm)

Machine and stand dimensions

Height: 10.5 in (267 mm), Width: 5.3 in (136 mm), Depth: 10.8 in (275 mm)

Stand only dimensions

Height: 7.6 in (193 mm), Width: 5.3 in (136 mm), Depth: 6.9 in (176 mm)

For more information:
888-397-6622
www.dyson.com
design@dyson.com

dyson supersonic professional

Electrical

Input voltage/Frequency: 120V / 60Hz

Motor specification: Dyson digital motor V9

Speed: 110,000 rpm

Wattage: 1600W

Ioniser: Negative ions to help reduce static in the hair

Cable length: 10 ft 8 in (3.3 m)

Construction

Glass filled nylon

Operation

Airflow settings: 3

Heat settings: 4

Temperatures: High heat: 212°F (100°C), Medium heat: 176°F (80°C)

Low heat: 140°F (60°C), Cold shot: 82°F (28°C)

Primary airflow: 3.4 gallons/sec (13 liters/sec)

Amplification factor: x3

Dry rate: 5.7g/min

Sound Power: 77 dB (A)

Logistics

Single unit order code:

Nickel/Silver – 392908-01

Unit barcode:

Nickel/Silver – 885609025636

Net weight (including cable and plug): 11lb 13oz

Packaged weight: 8lb 12oz

Packaged dimensions:

(L) 23.6 in (601 mm) x (W) 10.5 in (267 mm) x (D) 5.7 in (147 mm)

Stand

Construction: Painted steel

Weight: 2lb 2 oz

Fitting: Optional fixing method included –

M6 x 60mm screw, wing nut, washer

Standard warranty

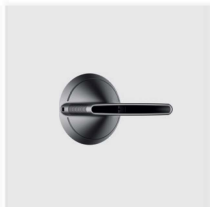
2-year warranty - parts & labor



Accessories



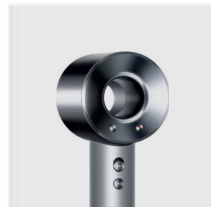
Flyaway attachment



Professional concentrator



Diffuser



Nickel/Silver



Stand (sold separately)



Wide-tooth comb



Gentle air attachment

Product range

For more information:

888-397-6622

www.dyson.com

design@dyson.com