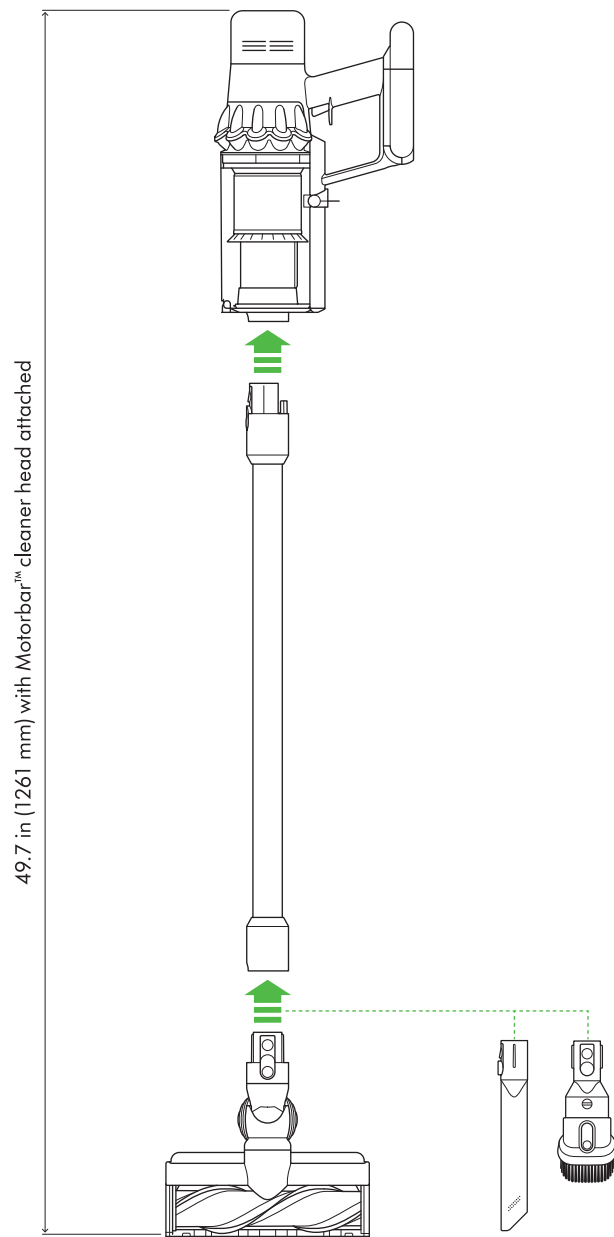


TECHNICAL SPECIFICATION

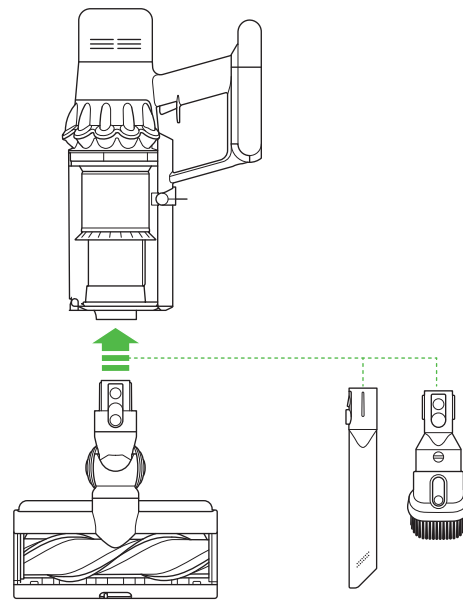


Cord-free

CORD-FREE VACUUM



HAND-HELD VACUUM



Machine dimensions (Cord-free vacuum)

Length: 49.7 in (1261 mm), Body width: 9.8 in (250 mm),
Motorbar™ cleaner head: 10.5 in (267 mm)

dyson v11

General

Sound power level: In Boost mode 82dBA on carpet, 87dBA on hardwood floor
Max Motor speed: 125,000 rpm
Operating power wattage: 545W

Construction

Polycarbonate
ABS
Aluminum

Specification

Bin Volume: 0.2 gallons (0.77 L)
Weight handheld: (body) 4.41 lbs (2.0 kg)
Weight: (body + wand + cleaner head) 6.52 lbs (2.96 kg)
Product dimensions: (L x W x H) 49.7 x 9.8 x 10.5 in (1261 x 250 x 267 mm)
Wand Length: 25.18 in (655.18 mm)

Battery

Charge: 4.5 hours
Battery Voltage: (Boost) 29.4 (Auto/Medium) 25.2 (Eco) 18.56

Filter

Lifetime washable
Filtration/machine filtration: Advanced, whole-machine filtration traps
99.99% of particles as small as 0.3 microns¹
Wash cycle: 1 month

Logistics

Approx box weight: 12.7 lbs (5.7 kg)
Packaged dimensions: 10.7 x 6 x 39 in (271 x 154 x 990 mm)

Standard warranty

2-year warranty – parts



Accessories included in the box



Motorbar™ cleaner head



Combination Tool



Hair screw tool



Crevice tool



Wall Dock™



Charger

888-397-6622
design@dyson.com
www.dyson.com/forbusiness

¹In Boost mode. All other modes achieve at least 99.97% filtration.

Version: 7.1.2023.
All information subject to change without notice.